



COMMUNICATOR K003L SURFACE MOUNTING SPEECH TRANSFER SYSTEM



The Communicator Speech Transfer System is a two-way intercom specifically designed to aid communications where normal speech is impaired by the use of glass security screens or other similar barriers.

Every system is controlled and powered individually and operates on a stand-alone basis. Each system comprises a twin-channel audio amplifier, power supply unit, a microphone and speaker for the staff and a microphone and speaker for the customer. The microphone and speaker modules are supplied in various formats to enable the system to be installed in differing locations.

The system operates on an "Open Duplex" basis, i.e. microphones and speakers are live simultaneously, similar to a telephone, with no manual or automatic switching of the voice. This means that clipping of speech is not encountered whilst still allowing users to operate the system "Hands-Free". Sophisticated electronic circuitry in the amplifier and purpose designed speaker and microphone modules ensure that the risk of acoustic coupling or "Feedback" is kept to a minimum.

Communicator also offers an induction loop facility which is built into the system for users of hearing aids. Communicator is offered either in a system kit format, or as individual modules, thus allowing maximum flexibility to "tailor" systems to individual requirements.

System Components

1. STS A30 audio amplifier
2. STS-P43 12V DC power supply
3. STS-F70 Staff Unit comprising close speaking microphone and loud speaker
4. A microphone for the Customer
5. A loudspeaker for the Customer
6. Induction Loop Aerial

N.B. Microphones and Loudspeakers are available in flush or surface mounting formats. All cables, connectors and mains leads are included.

The STS-F70 Staff Unit for the staff side is supplied as standard.



Flush Mounting STS-K003
 STS-M56 Microphone
 STS-S61 Speaker
 STS-F70 Combined Staff Unit

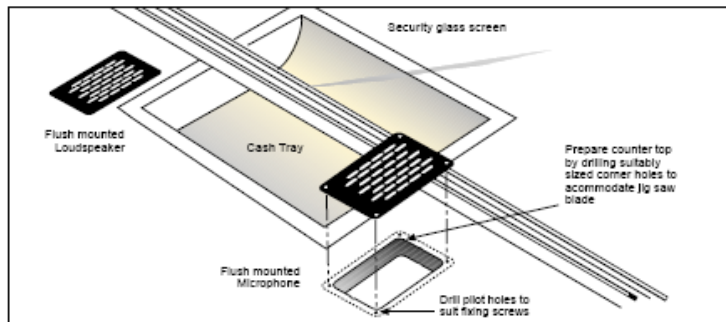


Figure 1

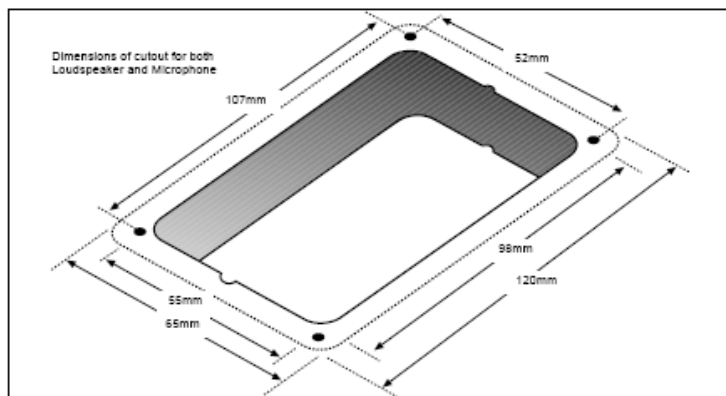


Figure 2

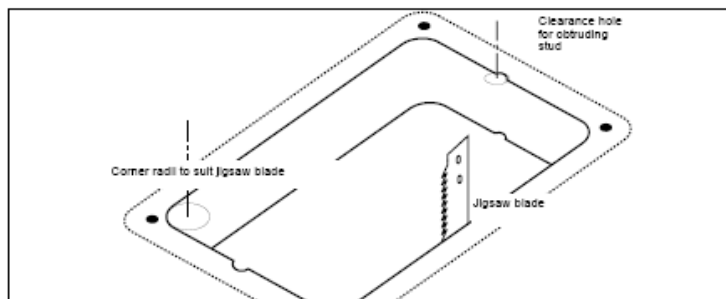


Figure 3

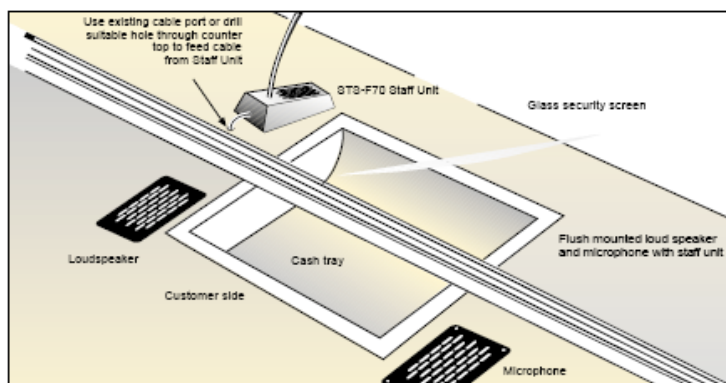
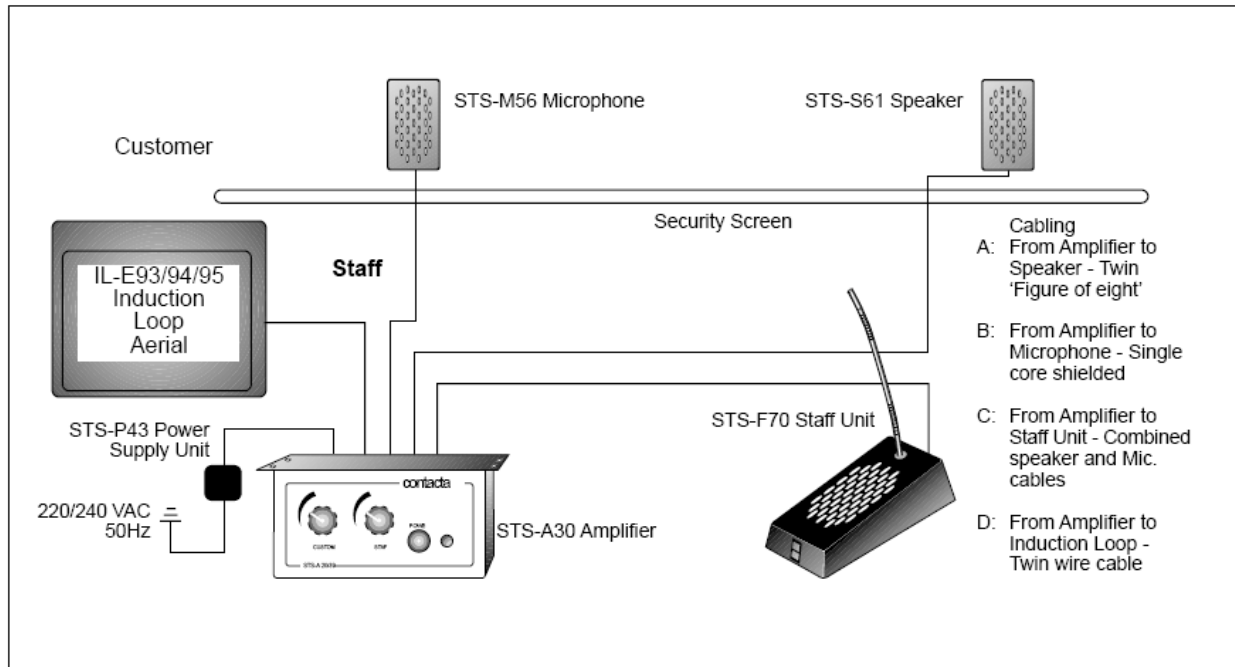


Figure 4



Typical system arrangement with flush mounting customer speaker & microphone